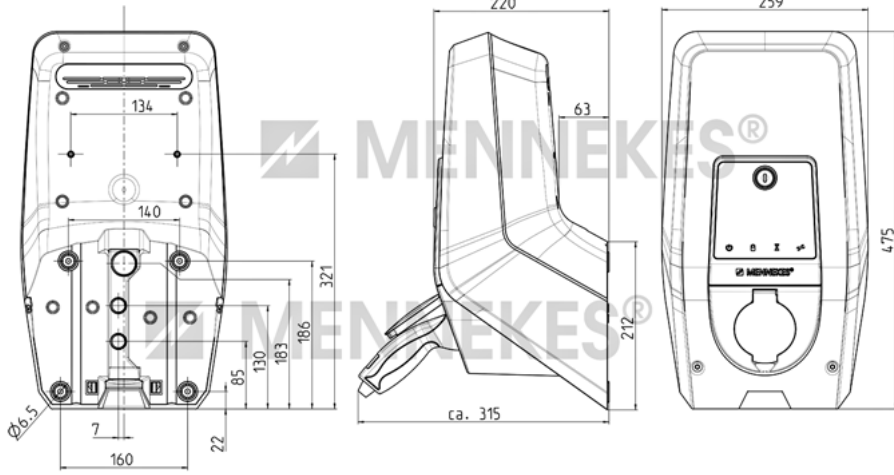


**AMTRON® Standard E 11 / 22 - Part no. 1358401**


- Enclosure of AMELAN®
- Enclosure upper part silver RAL 9006, design panel and lower part black RAL 9005

Technical information	
Charging connection	Charging socket Type 2, adjustable power from 11 kW and 22 kW
Personal protection	without Residual current device (RCD)
Fuse protection	Without miniature circuit breaker (MCB); Load contactor 32 A, 4 p
User guidance	Button for reset function LED status display
Energy meter	Without energy meter, with system monitoring for contactor and phase failure
Authorization	Key switch
Communication with the vehicle	MENNEKES CPX communication box
Networking	no networking
Pre-fuse max.	32 A
InA	32 A
RDF	1
Connection to power supply	5 x 10 mm <sup>2</sup> , Supply line can be connected from above, below and from the rear
Protection type	IP 54
Part no.	1358401

**MENNEKES®**



**MENNEKES®**