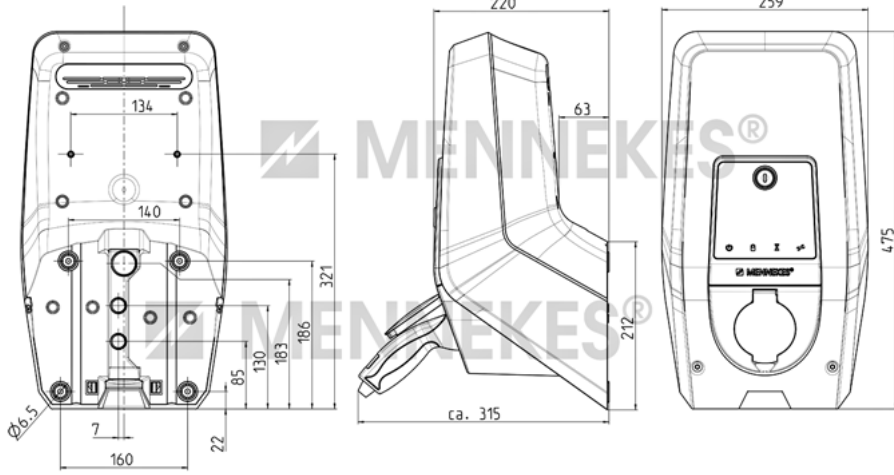


AMTRON® Start E 11 - Part no. 1350401


- Enclosure of AMELAN®
- Enclosure upper part silver RAL 9006, design panel and lower part black RAL 9005

Technical information	
Charging connection	Charging socket Type 2 to 11 kW
Personal protection	without Residual current device (RCD)
Fuse protection	Without miniature circuit breaker (MCB); Load contactor 16 A, 4 p
User guidance	Stop button LED status display
Energy meter	Without energy meter, with system monitoring for contactor and phase failure
Authorization	Free access to charging point
Communication with the vehicle	MENNEKES CPX communication box
Networking	no networking
Pre-fuse max.	16 A
InA	16 A
RDF	1
Connection to power supply	5 x 6 mm ² , Supply line can be connected from above, below and from the rear
Protection type	IP 54
Part no.	1350401

MENNEKES®



MENNEKES®